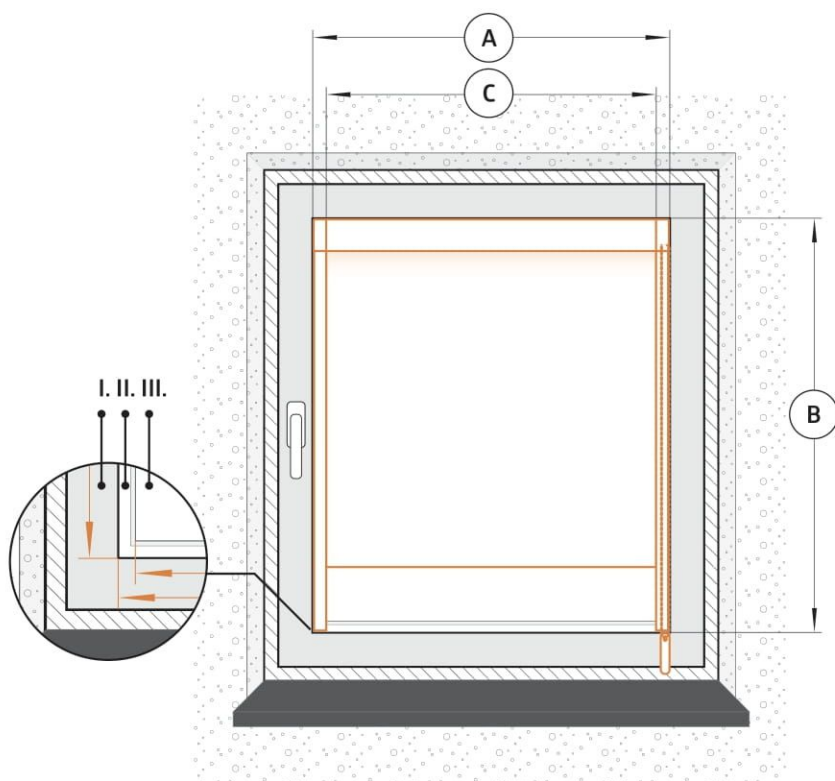


Roller blind MICRO measuring instructions

Long and trouble-free operation of the window shutter depends not only on the high quality of its workmanship, but also on its correct fit and assembly. In order for the blind to fit perfectly, the selected place must be properly and carefully dimensioned

The following auxiliary drawings must be strictly adhered to.

Roller blind in a cassette MICRO



A - WIDTH

This is the width of the glass together with glazing beads. (We take the measurement in the places where the glazing bead joins the window frame).

B - HEIGHT

This is the height of the glass together with glazing beads. (We take the measurement in the places where the glazing bead joins the window frame).

C - SUPPORT AUXILIARY DIMENSION

window width

*The MICRO roller blind works in the light of the glass in the space between the glazing beads. (When downloading the dimension, please provide the third auxiliary dimension, which is the width of the window pane, measure the size of the glass WITHOUT SEALS) we download the dimension of the PANE only! this will allow for proper and free operation of the roller shutter. The auxiliary dimension is given in the additional field under the dimensions.

- I - Window frame
- II - Glazing bead
- III - Glass

If you have unusual glazing beads, e.g. "rounded", please indicate them in the "Model" field when placing the order! we will prepare for you special guiding strips that perfectly adhere to the rounded surface of the glazing beads. (see picture below)

